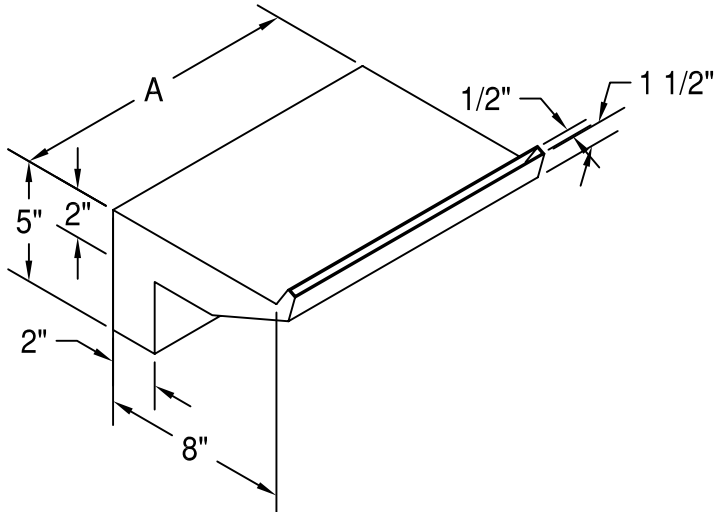


ARC FLOW SCUPPER



STANDARD SIZES

1. CIRCLE DIMENSION "A"
A= 8" 12" 18" 24"



2. CHOOSE A MATERIAL

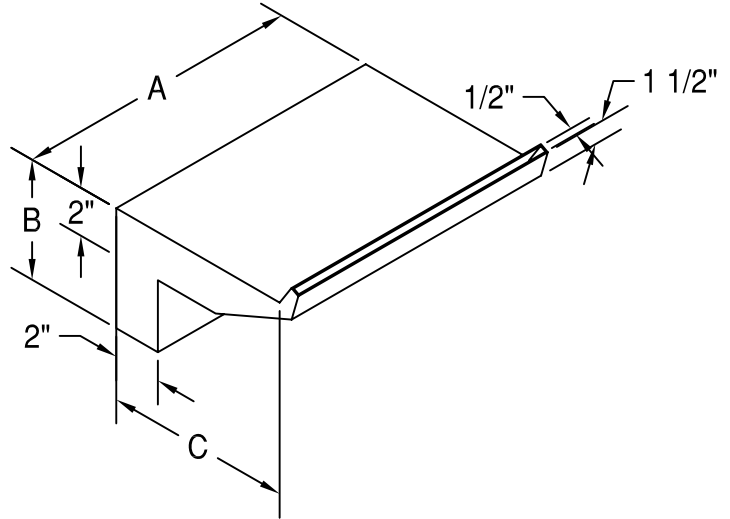
- | | |
|---|--|
| <input type="checkbox"/> COPPER | <input type="checkbox"/> TRANSLUCENT GREEN |
| <input type="checkbox"/> STAINLESS STEEL | <input type="checkbox"/> TRANSLUCENT BLUE |
| <input type="checkbox"/> HAND HAMMERED COPPER | <input type="checkbox"/> TRANSLUCENT COPPER |
| <input type="checkbox"/> TRANSLUCENT RED | <input type="checkbox"/> TRANS. BLACK CHROME |

3. QUANTITY _____

NOTES:
STANDARD INLET IS 1 1/2" FEMALE IN BACK.
FLOW RATE IS 25-30 GPM
GROUNDING LUG LOCATED ON BACK
TRANSLUCENT AND STAINLESS STEEL NOT RECOMMENDED FOR
SALT WATER ENVIRONMENTS
ALL SALES FINAL

CUSTOM SIZES

1. FILL IN CUSTOM DIMENSIONS



A. _____
B. _____
C. _____

2. CHOOSE A MATERIAL

- | | |
|---|--|
| <input type="checkbox"/> COPPER | <input type="checkbox"/> TRANSLUCENT GREEN |
| <input type="checkbox"/> STAINLESS STEEL | <input type="checkbox"/> TRANSLUCENT BLUE |
| <input type="checkbox"/> HAND HAMMERED COPPER | <input type="checkbox"/> TRANSLUCENT COPPER |
| <input type="checkbox"/> TRANSLUCENT RED | <input type="checkbox"/> TRANS. BLACK CHROME |

3. QUANTITY _____

NOTES:
STANDARD INLET IS 1 1/2" FEMALE IN BACK.
FLOW RATE IS 15-20 GPM
GROUNDING LUG LOCATED ON BACK
TRANSLUCENT AND STAINLESS STEEL NOT RECOMMENDED FOR
SALT WATER ENVIRONMENTS
ALL SALES FINAL

BOBE USE ONLY

COMPANY NAME: _____

PART # _____ QUANTITY: _____

COST PER UNIT: _____

DATE: _____

NOTES: _____

CONTACT: _____ DATE: _____

PHONE: _____ FAX: _____

P.O. #: _____ (IF PLACING AN ORDER, YOU MUST
INCLUDE A COPY OF THE P.O.)

NOTES: _____