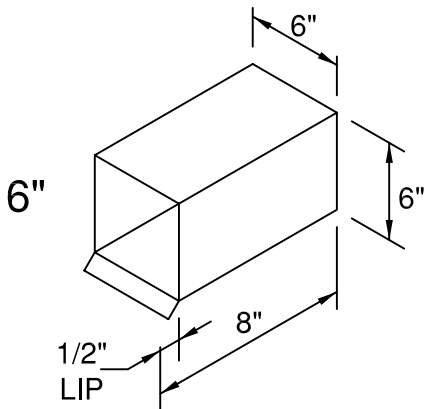
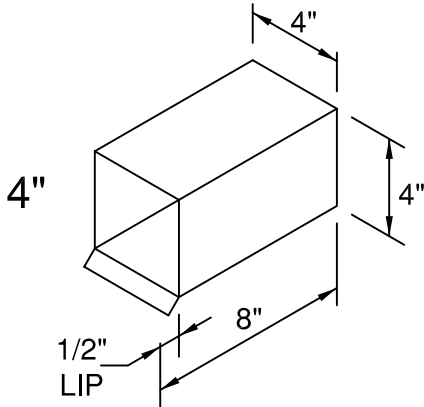


# BOX SCUPPER



## STANDARD SIZES

### 1. CIRCLE A SIZE



### 2. CHOOSE A MATERIAL

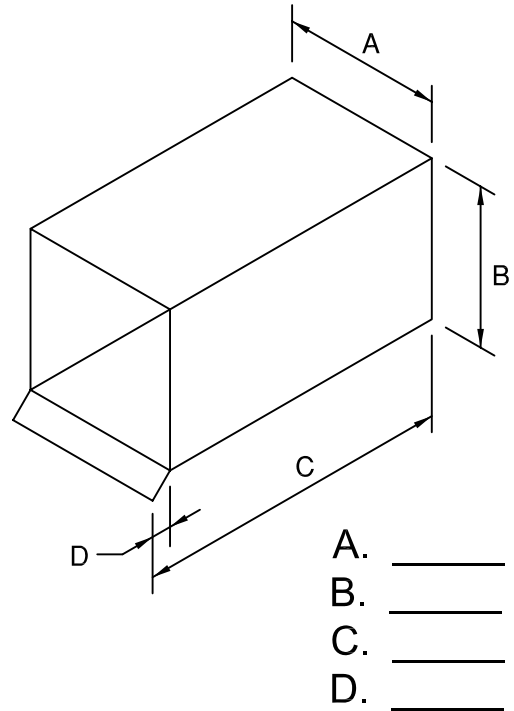
- |   |  |
|---|--|
| <input type="checkbox"/> COPPER               | <input type="checkbox"/> TRANSLUCENT GREEN   |
| <input type="checkbox"/> STAINLESS STEEL      | <input type="checkbox"/> TRANSLUCENT BLUE    |
| <input type="checkbox"/> HAND HAMMERED COPPER | <input type="checkbox"/> TRANSLUCENT COPPER  |
| <input type="checkbox"/> TRANSLUCENT RED      | <input type="checkbox"/> TRANS. BLACK CHROME |

### 3. QUANTITY \_\_\_\_\_

NOTES:  
 STANDARD INLET IS 1 1/2" FEMALE IN BACK.  
 FLOW RATE IS 15-20 GPM  
 GROUNDING LUG LOCATED ON BACK  
 TRANSLUCENT AND STAINLESS STEEL NOT RECOMMENDED FOR  
 SALT WATER ENVIRONMENTS  
 ALL SALES FINAL

## CUSTOM SIZES

### 1. FILL IN CUSTOM DIMENSIONS



- A. \_\_\_\_\_  
 B. \_\_\_\_\_  
 C. \_\_\_\_\_  
 D. \_\_\_\_\_

### 2. CHOOSE A MATERIAL

- |   |  |
|---|--|
| <input type="checkbox"/> COPPER               | <input type="checkbox"/> TRANSLUCENT GREEN   |
| <input type="checkbox"/> STAINLESS STEEL      | <input type="checkbox"/> TRANSLUCENT BLUE    |
| <input type="checkbox"/> HAND HAMMERED COPPER | <input type="checkbox"/> TRANSLUCENT COPPER  |
| <input type="checkbox"/> TRANSLUCENT RED      | <input type="checkbox"/> TRANS. BLACK CHROME |

### 3. QUANTITY \_\_\_\_\_

NOTES:  
 STANDARD INLET IS 1 1/2" FEMALE IN BACK.  
 FLOW RATE IS 15-20 GPM  
 GROUNDING LUG LOCATED ON BACK  
 TRANSLUCENT AND STAINLESS STEEL NOT RECOMMENDED FOR  
 SALT WATER ENVIRONMENTS  
 ALL SALES FINAL

## BOBE USE ONLY

COMPANY NAME: \_\_\_\_\_

PART # \_\_\_\_\_ QUANTITY: \_\_\_\_\_

COST PER UNIT: \_\_\_\_\_

DATE: \_\_\_\_\_

NOTES: \_\_\_\_\_

CONTACT: \_\_\_\_\_ DATE: \_\_\_\_\_

PHONE: \_\_\_\_\_ FAX: \_\_\_\_\_

P.O. #: \_\_\_\_\_ (IF PLACING AN ORDER, YOU MUST INCLUDE A COPY OF THE P.O.)

NOTES: \_\_\_\_\_