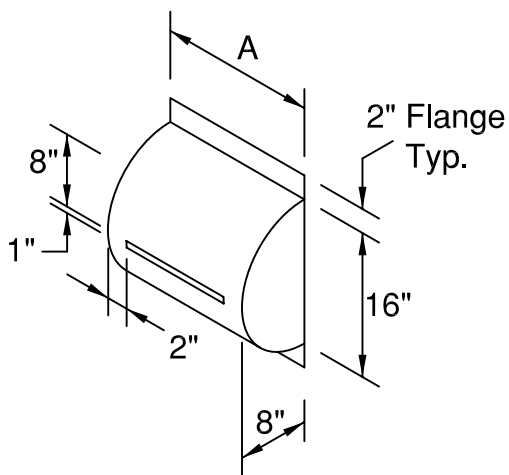


CURVED SCUPPER



STANDARD SIZES

1. CIRCLE DIMENSION "A"
A= 8" 12" 16" 20" 24"



IF DIMENSION B IS 8", THEN DIMENSION G WILL BE 1"

2. CHOOSE A MATERIAL

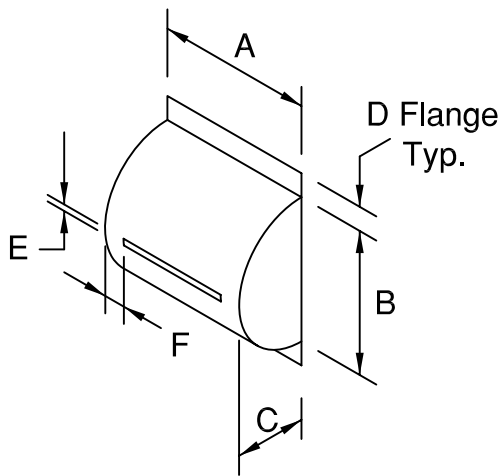
- | | |
|---|--|
| <input type="checkbox"/> COPPER | <input type="checkbox"/> TRANSLUCENT GREEN |
| <input type="checkbox"/> STAINLESS STEEL | <input type="checkbox"/> TRANSLUCENT BLUE |
| <input type="checkbox"/> HAND HAMMERED COPPER | <input type="checkbox"/> TRANSLUCENT COPPER |
| <input type="checkbox"/> TRANSLUCENT RED | <input type="checkbox"/> TRANS. BLACK CHROME |

3. QUANTITY _____

NOTES:
STANDARD INLET IS 1 1/2" FEMALE IN BACK.
FLOW RATE IS 15-20 GPM
GROUNDING LUG LOCATED ON BACK
TRANSLUCENT AND STAINLESS STEEL NOT RECOMMENDED FOR
SALT WATER ENVIRONMENTS
ALL SALES FINAL

CUSTOM SIZES

1. FILL IN CUSTOM DIMENSIONS



- | | |
|----------|-------------------|
| A. _____ | D. _____ (FLANGE) |
| B. _____ | E. _____ |
| C. _____ | F. _____ |

2. FLANGE: YES NO

3. CHOOSE A MATERIAL

- | | |
|---|--|
| <input type="checkbox"/> COPPER | <input type="checkbox"/> TRANSLUCENT GREEN |
| <input type="checkbox"/> STAINLESS STEEL | <input type="checkbox"/> TRANSLUCENT BLUE |
| <input type="checkbox"/> HAND HAMMERED COPPER | <input type="checkbox"/> TRANSLUCENT COPPER |
| <input type="checkbox"/> TRANSLUCENT RED | <input type="checkbox"/> TRANS. BLACK CHROME |

4. QUANTITY _____

NOTES:
STANDARD INLET IS 1 1/2" FEMALE IN BACK.
FLOW RATE IS 15-20 GPM
GROUNDING LUG LOCATED ON BACK
TRANSLUCENT AND STAINLESS STEEL NOT RECOMMENDED FOR
SALT WATER ENVIRONMENTS
ALL SALES FINAL

BOBE USE ONLY

COMPANY NAME: _____

PART # _____ QUANTITY: _____

COST PER UNIT: _____

DATE: _____

NOTES: _____

CONTACT: _____ DATE: _____

PHONE: _____ FAX: _____

P.O. #: _____ (IF PLACING AN ORDER, YOU MUST INCLUDE A COPY OF THE P.O.)

NOTES: _____