

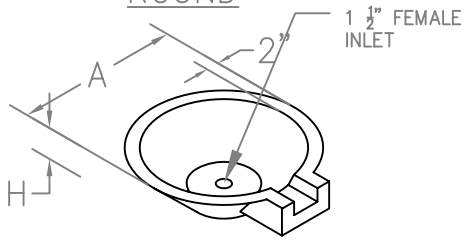
ORIGINAL LIP PO POT ORDER FORM



STANDARD SIZES

1. CIRCLE ROUND OR SQUARE AND SELECT THE OUTSIDE DIMENSION

ROUND



A=

12" 24"

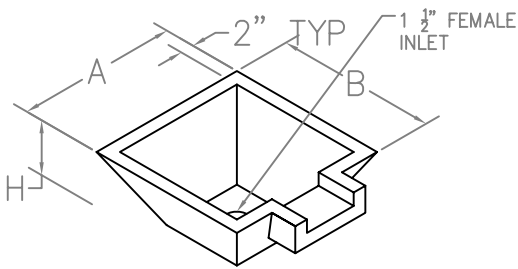
14" 28"

16" 32"

18" 36"

20" 48"

SQUARE



2. CIRCLE THE HEIGHT (DIMENSION "H")

LOW - 7"

MEDIUM - 12"

HIGH - 16"

3. CHOOSE A MATERIAL

- | | |
|---|--|
| <input type="checkbox"/> COPPER | <input type="checkbox"/> TRANSLUCENT GREEN |
| <input type="checkbox"/> STAINLESS STEEL | <input type="checkbox"/> TRANSLUCENT BLUE |
| <input type="checkbox"/> HAND HAMMERED COPPER | <input type="checkbox"/> TRANSLUCENT COPPER |
| <input type="checkbox"/> TRANSLUCENT RED | <input type="checkbox"/> TRANS. BLACK CHROME |

4. QUANTITY _____

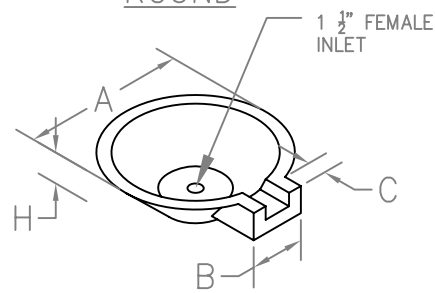
NOTE:

STANDARD BASE IS HALF OF DIMENSION "A"

CUSTOM SIZES

1. CIRCLE ROUND OR SQUARE AND FILL IN THE APPROPRIATE DIMENSIONS

ROUND



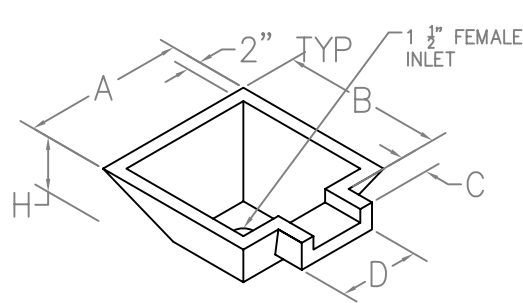
A. _____

B. _____

C. _____

H. _____

SQUARE



A. _____

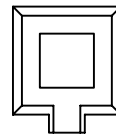
B. _____

C. _____

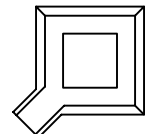
D. _____

H. _____

2. CIRCLE WHERE YOU WANT THE SPILLWAY
DRAW IN EXTRA SPILLWAY IF NEEDED



SIDE SPILLWAY



CORNER SPILLWAY

3. CHOOSE A MATERIAL

- | | |
|---|--|
| <input type="checkbox"/> COPPER | <input type="checkbox"/> TRANSLUCENT GREEN |
| <input type="checkbox"/> STAINLESS STEEL | <input type="checkbox"/> TRANSLUCENT BLUE |
| <input type="checkbox"/> HAND HAMMERED COPPER | <input type="checkbox"/> TRANSLUCENT COPPER |
| <input type="checkbox"/> TRANSLUCENT RED | <input type="checkbox"/> TRANS. BLACK CHROME |

4. QUANTITY _____

BOBE USE ONLY

COMPANY NAME: _____

PART # _____ QUANTITY: _____

CONTACT : _____ P.O. # _____

QUOTATION AMOUNT: _____

PHONE: _____ FAX: _____

contact bobe phone (602) 253-3494 fax (602) 253-3496

e-mail: info@bobescuppers.com web: www.bobescuppers.com