

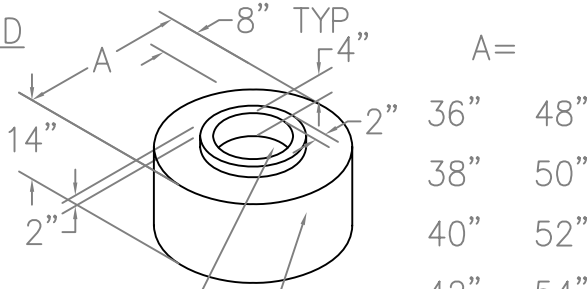
FIRE PIT ORDER FORM



STANDARD SIZES

1. CIRCLE ROUND OR SQUARE AND SELECT THE OUTSIDE DIMENSION

ROUND

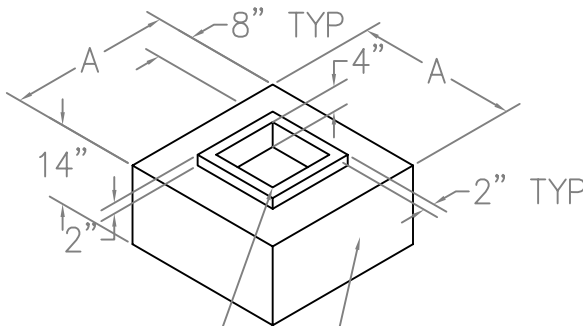


COPPER OR STAINLESS
STEEL CONSTRUCTION

ALUMINUM FRAME W/
PERFORATED SKIN

| | |
|-----|-----|
| A= | |
| 36" | 48" |
| 38" | 50" |
| 40" | 52" |
| 42" | 54" |
| 44" | 58" |
| 46" | 60" |

SQUARE



COPPER OR STAINLESS
STEEL CONSTRUCTION

ALUMINUM FRAME W/
PERFORATED SKIN

2. CHOOSE A MATERIAL

- COPPER STAINLESS STEEL
 HAND HAMMERED COPPER (NO CLEAR COAT, WILL PATINA)

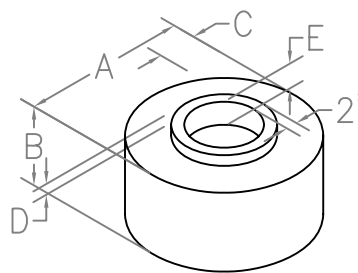
3. QUANTITY _____

NOTE:
FIRE RING NOT INCLUDED

CUSTOM SIZES

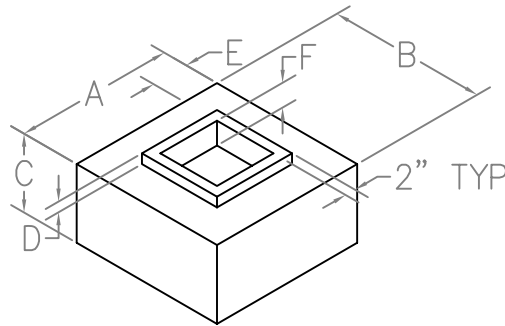
1. CIRCLE ROUND OR SQUARE AND FILL IN THE APPROPRIATE DIMENSIONS

ROUND



- A. _____
 B. _____
 C. _____
 D. _____
 E. _____

SQUARE



- A. _____
 B. _____
 C. _____
 D. _____
 E. _____
 F. _____

2. CHOOSE A MATERIAL

- COPPER STAINLESS STEEL
 HAND HAMMERED COPPER (NO CLEAR COAT, WILL PATINA)

3. QUANTITY _____

NOTE:
FIRE RING NOT INCLUDED

BOBE USE ONLY

COMPANY NAME: _____

PART # _____ QUANTITY: _____

QUOTATION AMOUNT: _____

DATE: _____

CONTACT : _____ DATE: _____

PHONE: _____ FAX: _____

P.O. # _____ (IF PLACING AN ORDER, YOU MUST INCLUDE A COPY OF THE P.O.)