

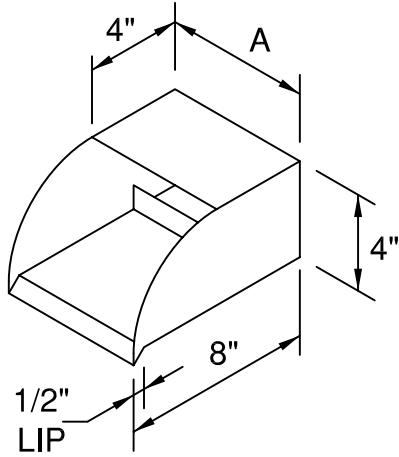
RADIUS SCUPPER



STANDARD SIZES

1. CIRCLE DIMENSION "A"

A= 6" *8" 10" *12" *18" *24" *36" 48"



2. CHOOSE A MATERIAL

- | | |
|---|--|
| <input type="checkbox"/> COPPER | <input type="checkbox"/> TRANSLUCENT GREEN |
| <input type="checkbox"/> STAINLESS STEEL | <input type="checkbox"/> TRANSLUCENT BLUE |
| <input type="checkbox"/> HAND HAMMERED COPPER | <input type="checkbox"/> TRANSLUCENT COPPER |
| <input type="checkbox"/> TRANSLUCENT RED | <input type="checkbox"/> TRANS. BLACK CHROME |

3. *OPTIONAL LED LIGHTING:

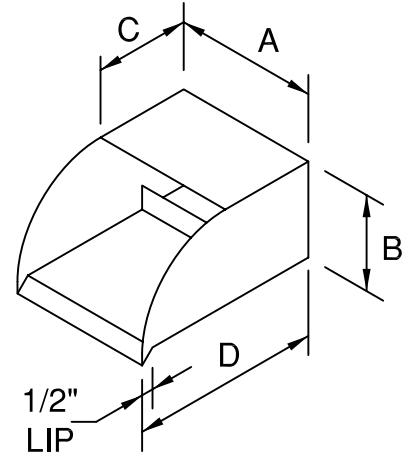
YES NO

4. QUANTITY _____

NOTES:
 STANDARD INLET IS 1 1/2" FEMALE IN BACK.
 FLOW RATE IS 15-20 GPM
 GROUNDING LUG LOCATED ON BACK
 TRANSLUCENT AND STAINLESS STEEL NOT RECOMMENDED FOR
 SALT WATER ENVIRONMENTS
 ALL SALES FINAL

CUSTOM SIZES

1. FILL IN CUSTOM DIMENSIONS



A. _____ C. _____
 B. _____ D. _____

2. CHOOSE A MATERIAL

- | | |
|---|--|
| <input type="checkbox"/> COPPER | <input type="checkbox"/> TRANSLUCENT GREEN |
| <input type="checkbox"/> STAINLESS STEEL | <input type="checkbox"/> TRANSLUCENT BLUE |
| <input type="checkbox"/> HAND HAMMERED COPPER | <input type="checkbox"/> TRANSLUCENT COPPER |
| <input type="checkbox"/> TRANSLUCENT RED | <input type="checkbox"/> TRANS. BLACK CHROME |

3. QUANTITY _____

4. CIRCLE INLET LOCATION:

BACK BOTTOM

NOTES:
 STANDARD INLET IS 1 1/2" FEMALE IN BACK.
 FLOW RATE IS 15-20 GPM
 GROUNDING LUG LOCATED ON BACK
 TRANSLUCENT AND STAINLESS STEEL NOT RECOMMENDED FOR
 SALT WATER ENVIRONMENTS
 ALL SALES FINAL

BOBE USE ONLY

COMPANY NAME: _____

PART # _____ QUANTITY: _____

COST PER UNIT: _____

DATE: _____

NOTES: _____

CONTACT: _____ DATE: _____

PHONE: _____ FAX: _____

P.O. #: _____ (IF PLACING AN ORDER, YOU MUST INCLUDE A COPY OF THE P.O.)

NOTES: _____