

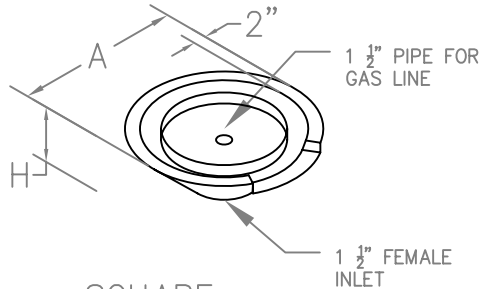
# SEAMLESS LIP PO POT W/FIRE PAN ORDER FORM



## STANDARD SIZES

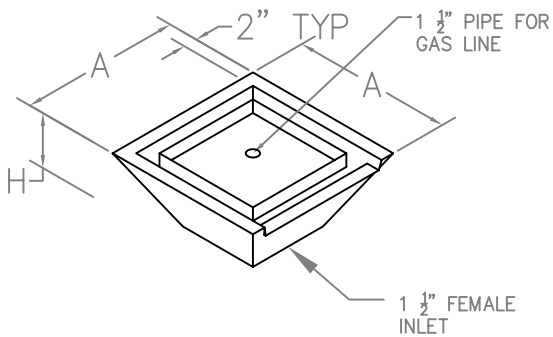
1. CIRCLE ROUND OR SQUARE AND SELECT THE OUTSIDE DIMENSION

### ROUND



- A = 24"  
28"  
32"  
36"  
48"

### SQUARE



2. CIRCLE THE HEIGHT (Dimension H)

- LOW - 7"  
MEDIUM - 12"  
HIGH - 16"

3. CHOOSE A MATERIAL

- |   |  |
|---|--|
| <input type="checkbox"/> COPPER               | <input type="checkbox"/> TRANSLUCENT GREEN   |
| <input type="checkbox"/> STAINLESS STEEL      | <input type="checkbox"/> TRANSLUCENT BLUE    |
| <input type="checkbox"/> HAND HAMMERED COPPER | <input type="checkbox"/> TRANSLUCENT COPPER  |
| <input type="checkbox"/> TRANSLUCENT RED      | <input type="checkbox"/> TRANS. BLACK CHROME |

4. QUANTITY \_\_\_\_\_

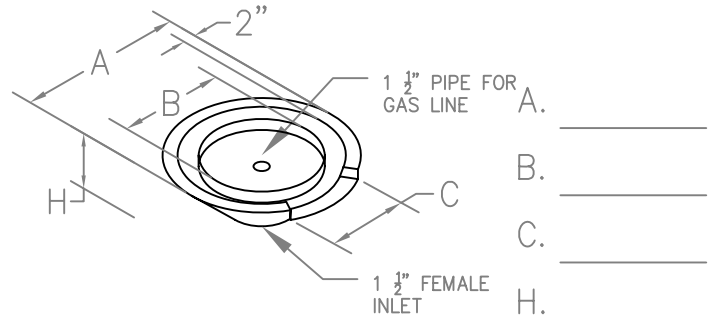
**NOTE:**

STANDARD BASE IS HALF OF DIMENSION "A"  
FIRE PAN IS 3" DEEP  
O.D. OF FIRE PAN IS "A" MINUS 12"

## CUSTOM SIZES

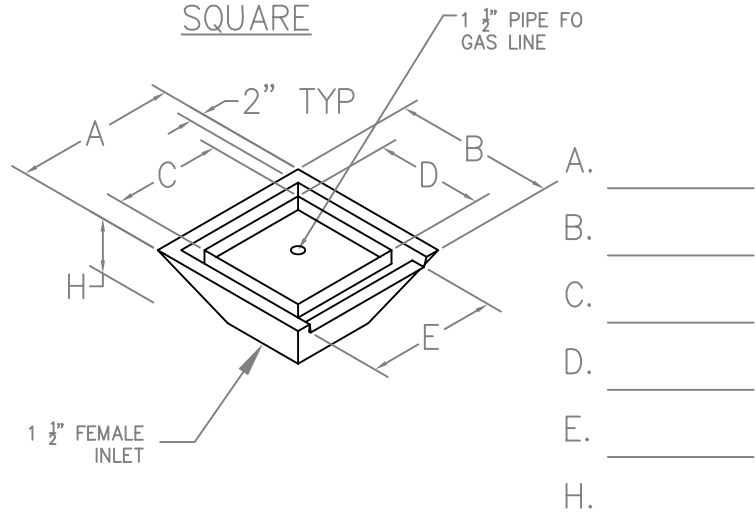
1. CIRCLE ROUND OR SQUARE AND FILL IN THE APPROPRIATE DIMENSIONS

### ROUND



- A. \_\_\_\_\_  
B. \_\_\_\_\_  
C. \_\_\_\_\_  
H. \_\_\_\_\_

### SQUARE



- A. \_\_\_\_\_  
B. \_\_\_\_\_  
C. \_\_\_\_\_  
D. \_\_\_\_\_  
E. \_\_\_\_\_  
H. \_\_\_\_\_

2. CHOOSE A MATERIAL

- |   |  |
|---|--|
| <input type="checkbox"/> COPPER               | <input type="checkbox"/> TRANSLUCENT GREEN   |
| <input type="checkbox"/> STAINLESS STEEL      | <input type="checkbox"/> TRANSLUCENT BLUE    |
| <input type="checkbox"/> HAND HAMMERED COPPER | <input type="checkbox"/> TRANSLUCENT COPPER  |
| <input type="checkbox"/> TRANSLUCENT RED      | <input type="checkbox"/> TRANS. BLACK CHROME |

3. QUANTITY \_\_\_\_\_

**BOBE USE ONLY**

COMPANY NAME:

PART # \_\_\_\_\_ QUANTITY: \_\_\_\_\_

CONTACT : \_\_\_\_\_ P.O. # \_\_\_\_\_

QUOTATION AMOUNT: \_\_\_\_\_

PHONE: \_\_\_\_\_ FAX: \_\_\_\_\_