

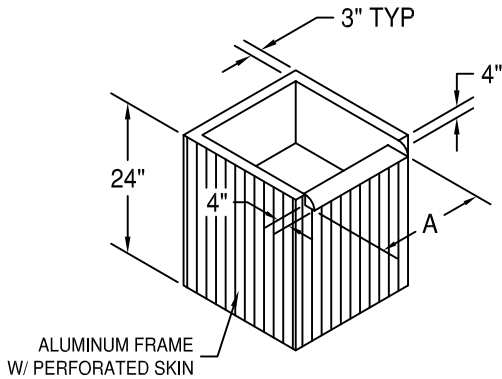
# SMOOTH FLOW RADIUS COLUMN & SMOOTH FLOW RADIUS INSERT



## STANDARD SIZES

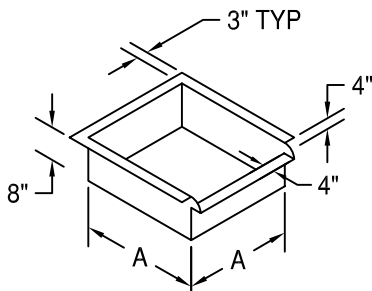
### 1. CIRCLE COMBO OR INSERT COMBO

SIZE: A: 18" 24" 30"



### INSERT

SIZE: A: 12" 18" 24"



### 2. CHOOSE A MATERIAL

- |   |  |
|---|--|
| <input type="checkbox"/> COPPER               | <input type="checkbox"/> TRANSLUCENT GREEN   |
| <input type="checkbox"/> STAINLESS STEEL      | <input type="checkbox"/> TRANSLUCENT BLUE    |
| <input type="checkbox"/> HAND HAMMERED COPPER | <input type="checkbox"/> TRANSLUCENT COPPER  |
| <input type="checkbox"/> TRANSLUCENT RED      | <input type="checkbox"/> TRANS. BLACK CHROME |

### 3. QUANTITY \_\_\_\_\_

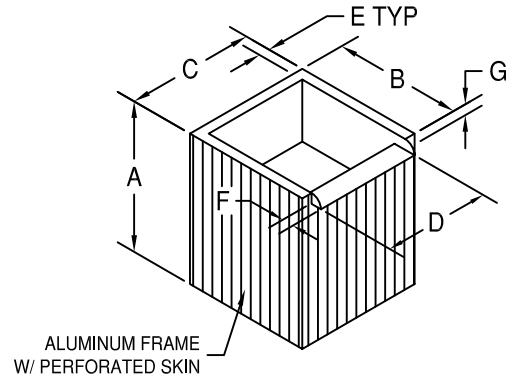
NOTES: STANDARD INLET IS 1 1/2" FEMALE IN THE BOTTOM CENTER  
GROUNDING LUG LOCATED ON BACK FLOW RATE IS 20-25 GPM  
TRANSLUCENT AND STAINLESS STEEL NOT RECOMMENDED FOR SALT  
WATER ENVIRONMENTS. ALL SALES FINAL

## CUSTOM SIZES

### 1. CIRCLE COMBO OR INSERT AND FILL IN THE DIMENSIONS

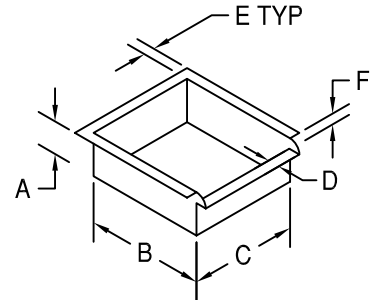
#### COMBO

- A. \_\_\_\_\_  
B. \_\_\_\_\_  
C. \_\_\_\_\_  
D. \_\_\_\_\_  
E. \_\_\_\_\_  
(FLANGE)  
F. \_\_\_\_\_  
G. \_\_\_\_\_



#### INSERT

- A. \_\_\_\_\_  
B. \_\_\_\_\_  
C. \_\_\_\_\_  
D. \_\_\_\_\_  
E. \_\_\_\_\_  
(FLANGE)  
F. \_\_\_\_\_



### 2. CHOOSE A MATERIAL

- |   |  |
|---|--|
| <input type="checkbox"/> COPPER               | <input type="checkbox"/> TRANSLUCENT GREEN   |
| <input type="checkbox"/> STAINLESS STEEL      | <input type="checkbox"/> TRANSLUCENT BLUE    |
| <input type="checkbox"/> HAND HAMMERED COPPER | <input type="checkbox"/> TRANSLUCENT COPPER  |
| <input type="checkbox"/> TRANSLUCENT RED      | <input type="checkbox"/> TRANS. BLACK CHROME |

### 3. QUANTITY \_\_\_\_\_

NOTES: STANDARD INLET IS 1 1/2" FEMALE IN THE BOTTOM CENTER  
GROUNDING LUG LOCATED ON BACK FLOW RATE IS 20-25 GPM  
TRANSLUCENT AND STAINLESS STEEL NOT RECOMMENDED FOR SALT  
WATER ENVIRONMENTS. ALL SALES FINAL

## BOBE USE ONLY

COMPANY NAME: \_\_\_\_\_

PART # \_\_\_\_\_

COST PER UNIT: \_\_\_\_\_

DATE: \_\_\_\_\_

NOTES: \_\_\_\_\_

CONTACT: \_\_\_\_\_ DATE: \_\_\_\_\_

PHONE: \_\_\_\_\_ FAX: \_\_\_\_\_

P.O. #: \_\_\_\_\_ (IF PLACING AN ORDER, YOU MUST  
INCLUDE A COPY OF THE P.O.)

NOTES: \_\_\_\_\_