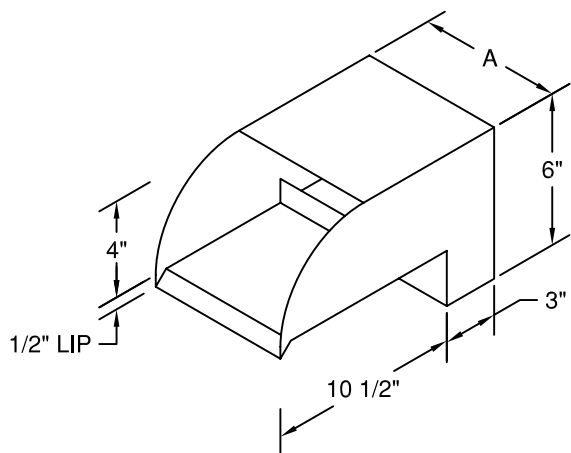


# SMOOTH FLOW RADIUS SCUPPER



## STANDARD SIZES

1. CIRCLE DIMENSION "A"  
 A= 6" \*8" 10" \*12" 16" \*18" \*24"  
 \*36" 48" 60" 72"



## 2. CHOOSE A MATERIAL

- |   |  |
|---|--|
| <input type="checkbox"/> COPPER               | <input type="checkbox"/> TRANSLUCENT GREEN   |
| <input type="checkbox"/> STAINLESS STEEL      | <input type="checkbox"/> TRANSLUCENT BLUE    |
| <input type="checkbox"/> HAND HAMMERED COPPER | <input type="checkbox"/> TRANSLUCENT COPPER  |
| <input type="checkbox"/> TRANSLUCENT RED      | <input type="checkbox"/> TRANS. BLACK CHROME |

## 3. \*OPTIONAL LED LIGHTING

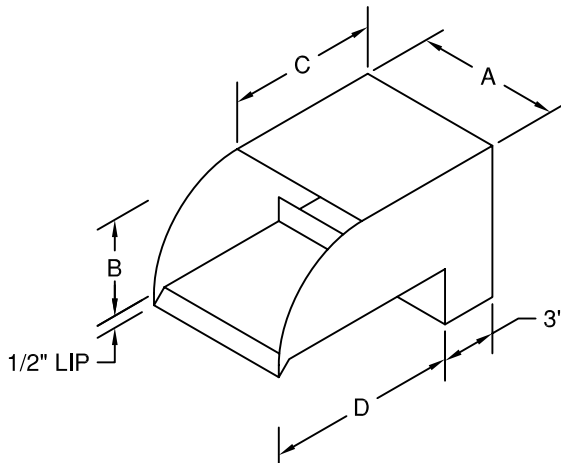
YES NO

## 4. QUANTITY \_\_\_\_\_

NOTES:  
 STANDARD INLET IS 1 1/2" FEMALE IN BACK.  
 FLOW RATE IS 25-30 GPM  
 GROUNDING LUG LOCATED ON BACK  
 TRANSLUCENT AND STAINLESS STEEL NOT RECOMMENDED FOR  
 SALT WATER ENVIRONMENTS  
 ALL SALES FINAL

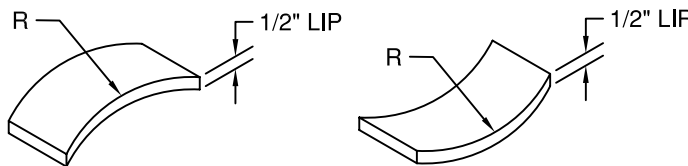
## CUSTOM SIZES

1. FILL IN CUSTOM DIMENSIONS



- A. \_\_\_\_\_ C. \_\_\_\_\_  
 B. \_\_\_\_\_ D. \_\_\_\_\_

2. IF APPLICABLE, CIRCLE THE RADIUS



- R. \_\_\_\_\_ CONCAVE  
 R. \_\_\_\_\_ CONVEX

## 3. CHOOSE A MATERIAL

- |   |  |
|---|--|
| <input type="checkbox"/> COPPER               | <input type="checkbox"/> TRANSLUCENT GREEN   |
| <input type="checkbox"/> STAINLESS STEEL      | <input type="checkbox"/> TRANSLUCENT BLUE    |
| <input type="checkbox"/> HAND HAMMERED COPPER | <input type="checkbox"/> TRANSLUCENT COPPER  |
| <input type="checkbox"/> TRANSLUCENT RED      | <input type="checkbox"/> TRANS. BLACK CHROME |

## 4. QUANTITY \_\_\_\_\_

## 5. CIRCLE INLET LOCATION:

BACK BOTTOM

### BOBE USE ONLY

COMPANY NAME: \_\_\_\_\_

PART # \_\_\_\_\_ QUANTITY: \_\_\_\_\_

COST PER UNIT: \_\_\_\_\_

DATE: \_\_\_\_\_

NOTES: \_\_\_\_\_

CONTACT: \_\_\_\_\_ DATE: \_\_\_\_\_

PHONE: \_\_\_\_\_ FAX: \_\_\_\_\_

P.O. #: \_\_\_\_\_ (IF PLACING AN ORDER, YOU MUST INCLUDE A COPY OF THE P.O.)

NOTES: \_\_\_\_\_