

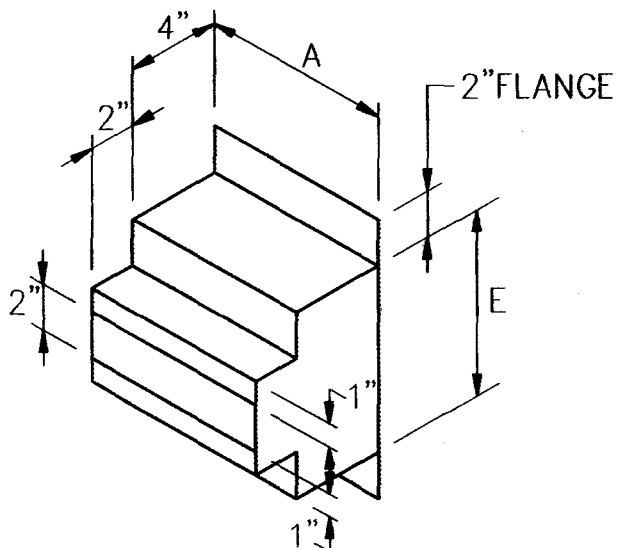
# MONUMENT SCUPPER ORDER FORM



## STANDARD SIZES

1. CIRCLE THE LENGTH FOR DIMENSION "A"  
ALL OTHER DIMENSIONS STAY THE SAME

A= 8" 10" 12" 16" 18" 24"



## 2. CHOOSE A MATERIAL

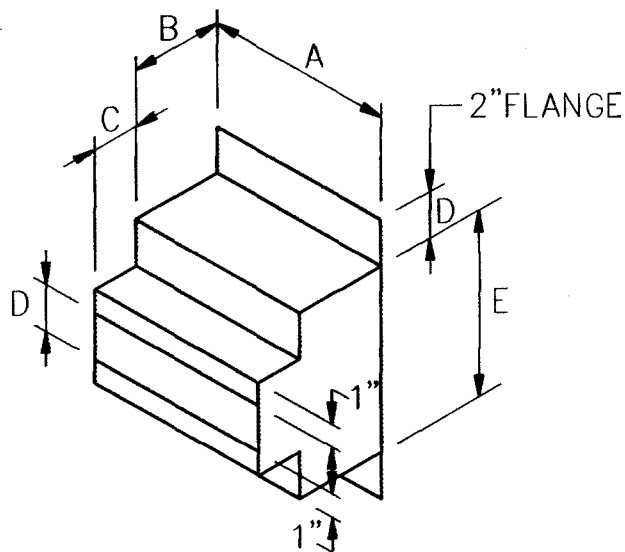
- |   |  |
|---|--|
| <input type="checkbox"/> COPPER               | <input type="checkbox"/> TRANSLUCENT GREEN   |
| <input type="checkbox"/> STAINLESS STEEL      | <input type="checkbox"/> TRANSLUCENT BLUE    |
| <input type="checkbox"/> HAND HAMMERED COPPER | <input type="checkbox"/> TRANSLUCENT COPPER  |
| <input type="checkbox"/> TRANSLUCENT RED      | <input type="checkbox"/> TRANS. BLACK CHROME |

3. QUANTITY \_\_\_\_\_

**NOTE:**  
STANDARD INLET IS 1-1/2" FEMALE IN THE BACK.  
2" FLANGES ON TOP AND BOTTOM AID INSTALLATION.

## CUSTOM SIZES

1. FILL IN CUSTOM DIMENSIONS



A. \_\_\_\_\_  
B. \_\_\_\_\_  
C. \_\_\_\_\_  
D. \_\_\_\_\_  
E. \_\_\_\_\_  
(MOUTH OPENING)

FLANGE: YES NO

## 2. CHOOSE A MATERIAL

- |   |  |
|---|--|
| <input type="checkbox"/> COPPER               | <input type="checkbox"/> TRANSLUCENT GREEN   |
| <input type="checkbox"/> STAINLESS STEEL      | <input type="checkbox"/> TRANSLUCENT BLUE    |
| <input type="checkbox"/> HAND HAMMERED COPPER | <input type="checkbox"/> TRANSLUCENT COPPER  |
| <input type="checkbox"/> TRANSLUCENT RED      | <input type="checkbox"/> TRANS. BLACK CHROME |

3. QUANTITY \_\_\_\_\_

**NOTE:**  
STANDARD INLET IS 1-1/2" FEMALE IN THE BACK.  
2" FLANGES ON TOP AND BOTTOM AID INSTALLATION.

### BOBÉ USE ONLY

PART # \_\_\_\_\_ QUANTITY: \_\_\_\_\_  
QUOTATION AMOUNT: \_\_\_\_\_  
DATE: \_\_\_\_\_  
NOTES: \_\_\_\_\_

### COMPANY NAME:

CONTACT : \_\_\_\_\_ DATE: \_\_\_\_\_  
PHONE: \_\_\_\_\_ FAX: \_\_\_\_\_  
P.O. # \_\_\_\_\_ (IF PLACING AN ORDER, YOU MUST  
INCLUDE A COPY OF THE P.O.)  
NOTES: \_\_\_\_\_