

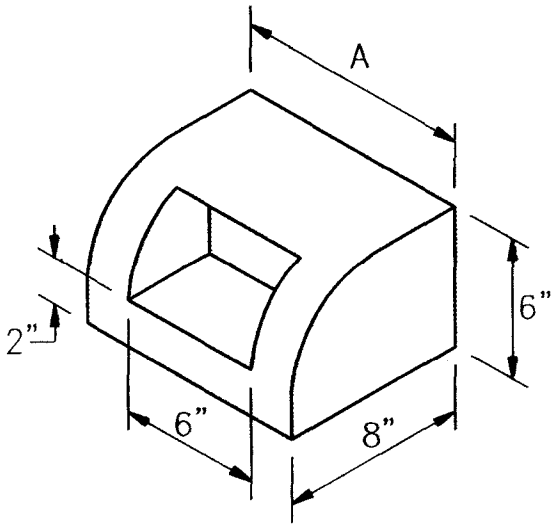
SOLID RADIUS SCUPPER ORDER FORM



STANDARD SIZES

1. CIRCLE THE LENGTH FOR DIMENSION "A"
ALL OTHER DIMENSIONS STAY THE SAME

A = 10" 12" 16" 20" 24"



2. CHOOSE A MATERIAL

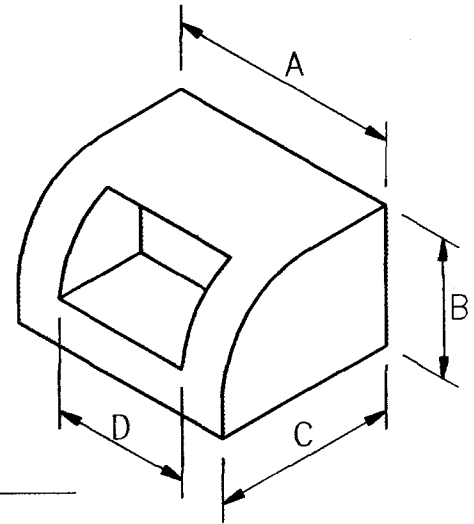
- | | |
|---|--|
| <input type="checkbox"/> COPPER | <input type="checkbox"/> TRANSLUCENT GREEN |
| <input type="checkbox"/> STAINLESS STEEL | <input type="checkbox"/> TRANSLUCENT BLUE |
| <input type="checkbox"/> HAND HAMMERED COPPER | <input type="checkbox"/> TRANSLUCENT COPPER |
| <input type="checkbox"/> TRANSLUCENT RED | <input type="checkbox"/> TRANS. BLACK CHROME |

3. QUANTITY _____

NOTE:
STANDARD INLET IS 1-1/2" FEMALE IN BACK

CUSTOM SIZES

1. FILL IN CUSTOM DIMENSIONS



A. _____
B. _____
C. _____
D. _____

2. CHOOSE A MATERIAL

- | | |
|---|--|
| <input type="checkbox"/> COPPER | <input type="checkbox"/> TRANSLUCENT GREEN |
| <input type="checkbox"/> STAINLESS STEEL | <input type="checkbox"/> TRANSLUCENT BLUE |
| <input type="checkbox"/> HAND HAMMERED COPPER | <input type="checkbox"/> TRANSLUCENT COPPER |
| <input type="checkbox"/> TRANSLUCENT RED | <input type="checkbox"/> TRANS. BLACK CHROME |

3. QUANTITY _____

NOTE:
STANDARD INLET IS 1-1/2" FEMALE IN BACK

BOBÉ USE ONLY

PART # _____ QUANTITY: _____
 QUOTATION AMOUNT: _____
 DATE: _____
 NOTES: _____

contact bobé phone (602) 253-3494 fax (602) 253-3496

COMPANY NAME:

CONTACT : _____ DATE: _____
 PHONE: _____ FAX: _____
 P.O. # _____ (IF PLACING AN ORDER, YOU MUST
 INCLUDE A COPY OF THE P.O.)
 NOTES: _____

e-mail: info@bobescuppers.com web: www.bobescuppers.com