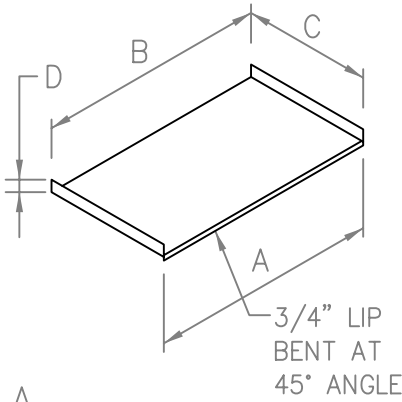


SPILLWAY ORDER FORM



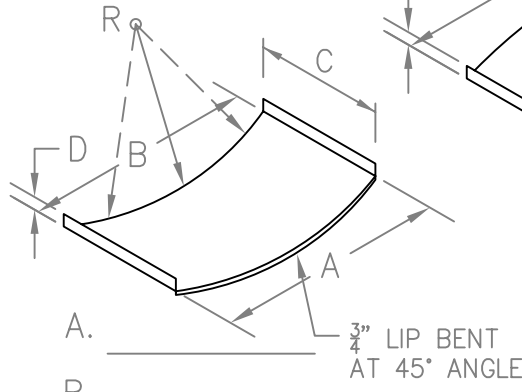
1. CIRCLE STYLE AND FILL IN DIMENSIONS ACCORDINGLY

STRAIGHT



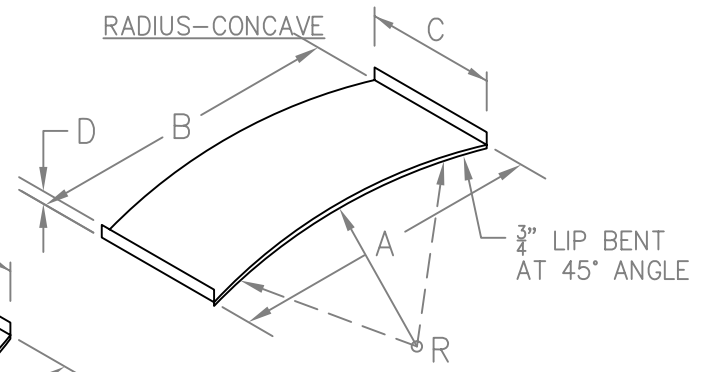
A. _____
 B. _____
 C. _____
 D. _____
 QTY. _____

RADIUS-CONVEX



A. _____
 B. _____
 C. _____
 D. _____
 R. _____
 QTY. _____

RADIUS-CONCAVE



A. _____
 B. _____
 C. _____
 D. _____
 R. _____
 QTY. _____

2. CHOOSE A MATERIAL

- COPPER
- STAINLESS STEEL
- HAND HAMMERED COPPER
- TRANSLUCENT RED
- TRANSLUCENT GREEN
- TRANSLUCENT BLUE
- TRANSLUCENT COPPER
- TRANS. BLACK CHROME

2. CHOOSE A MATERIAL

- COPPER
- STAINLESS STEEL
- HAND HAMMERED COPPER
- TRANSLUCENT RED
- TRANSLUCENT GREEN
- TRANSLUCENT BLUE
- TRANSLUCENT COPPER
- TRANS. BLACK CHROME

2. CHOOSE A MATERIAL

- COPPER
- STAINLESS STEEL
- HAND HAMMERED COPPER
- TRANSLUCENT RED
- TRANSLUCENT GREEN
- TRANSLUCENT BLUE
- TRANSLUCENT COPPER
- TRANS. BLACK CHROME

BOBE USE ONLY

COMPANY NAME: _____

PART # _____ QUANTITY: _____

CONTACT : _____ DATE: _____

QUOTATION AMOUNT: _____

PHONE: _____ FAX: _____

DATE: _____

P.O. # _____ (IF PLACING AN ORDER, YOU MUST INCLUDE A COPY OF THE P.O.)